



Electronic Sensors, Inc.

Model IDP10 Differential Pressure Transmitter

DESCRIPTION & OPERATION

The IDP10 Differential Pressure Transmitter reliably measures differential pressure of gasses, vapors and liquids. These process variables are converted into standard analog DC signals (4-20mA) which are supplied to the process control and monitoring equipment. Unique internal design makes this DP stable over a wide temperature range and protects the device from over pressure to greater than 3000 psi. With years of past performance, this device is one of the most reliable and asked for sensor.

SPECIFICATIONS

Range

0-30 to 0-840 in. H₂O (Scaleable)

Max Overpressure

3625 PSI

Span Limits (in H₂O)

A 0.5 and 30
B 3.5 and 200
C 28 and 840

Accuracy

±0.20% of calibrated span

Temperature Ranges

Electronics: -20°F to 180°F
Sensing Element: -20°F to 180°F (normal)
-50°F to 250°F (operative)

Input

11.5 to 42 VDC

Output

4-20mADC

Mounting

Direct to process (pipe, wall, optional)
Stainless steel mounting bracket provided
1/2 inch NPT

Electrical Connection

1/2 inch conduit/internal terminal strip

Display

LCD optional

Warranty

1 year

Weight

9.2 lb with process connectors

Construction

Electronic Housing: corrosion-resistant epoxy finish
Process Connection: 316 SS
Process Diaphragms: 316L SS
Fill Fluid: Silicone Oil
Process Cover Gaskets: ptfе
NEMA Standards: NEMA 4X

FM Approval

Explosion Proof for Class I, Div1, Groups B, C, D
Class II, Div 1, Groups E, F & G
Class III, Div 1
Intrinsically safe for Class I, Div 1, Groups A,B,C,D
Class II, Div 1, Groups E, F & G
Class III, Div 1
(Connect per MI 020-427)



SPECIFICATIONS SUBJECT TO CHANGE WITHOUT NOTICE

Electronic Sensors, Inc.

**2063 S Edwards
Wichita, KS 67213**

Phone: 316-267-2807
Toll Free: 800-886-2511
Fax: 316-267-2819
Email: leveldevil@leveldevil.com
Home Page: www.leveldevil.com

Level Devil
Bulk Inventory Management Solutions

IDP10 Differential Pressure Transmitter

ORDERING INFORMATION

IDP10 - T22 □21F-M2 Explosion Proof/Intrinsically Safe

IDP10 - T22 □21F-M2 L1 Explosion Proof/Intrinsically Safe with LCD Display

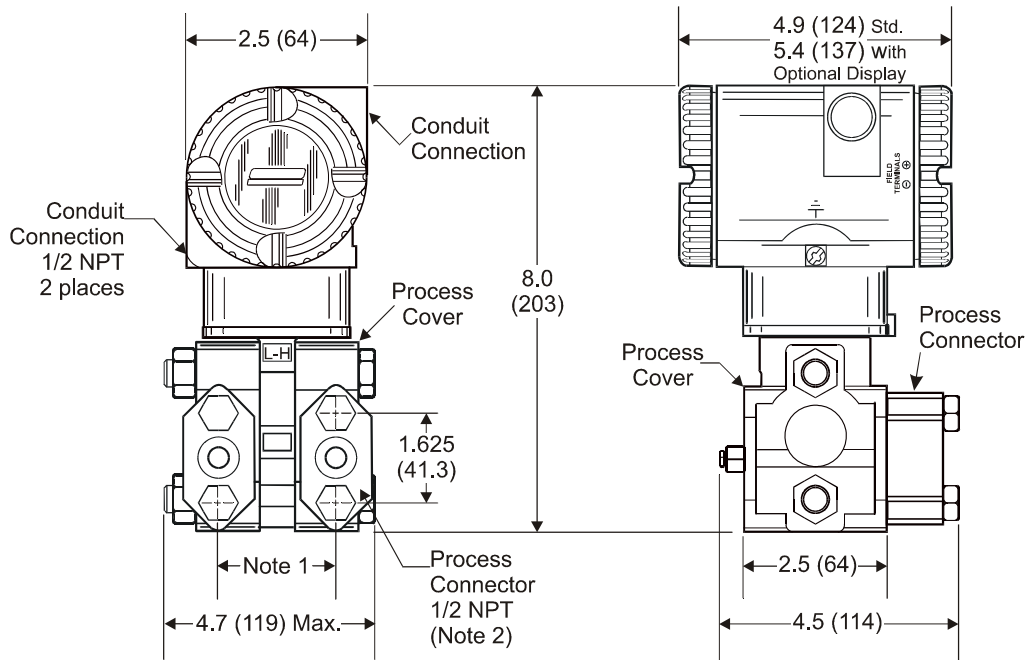
A	0 to 30	Inches of H ₂ O (2.5 feet)
B	0 to 200	Inches of H ₂ O (16.7 feet)
C	0 to 840	Inches of H ₂ O (70.0 feet)

ISB Single Ended: 9001/01-280-100-10

ISB Dual Ended: GHG1110000W2427

OUTLINE DRAWING

Dimensions in inches (MM)



Your Area Representative:



Electronic Sensors, Inc.

2063 S Edwards • Wichita, KS 67213
 Phone: 316-267-2807 • Fax: 316-267-2819

Toll Free: 800-886-2511

Email: leveldevil@leveldevil.com

Home Page: www.leveldevil.com

